

# PSA Oxygen Generator

# AS-D+



AirSep Alpha-Series Oxygen Generators produce from 20 to 5,000 cubic feet of oxygen per hour at up to 95.5% oxygen concentration. When electricity and a source of compressed air is supplied, these dependable machines can provide oxygen for any application.

## Features

- Produces oxygen from an independent compressed air source
- Microprocessor controlled
- Low operating cost
- Automatic and unattended operation
- Easy to install and maintain
- Optional NEMA 4 Touchscreen control panel with integrated oxygen concentration monitor

## Typical Applications

### Manufacturing

- Cutting/Brazing/Soldering
- Thermal/Chemical Oxidation

### Medical

- Hospital Systems

### Environmental

- Ozone (Generator) Feed Gas
- Environmental Remediation
- Waste/Water Treatment

### Glass Industry

- Glass Work/Manufacturing/Blowing

### Additional

- Fish Farming

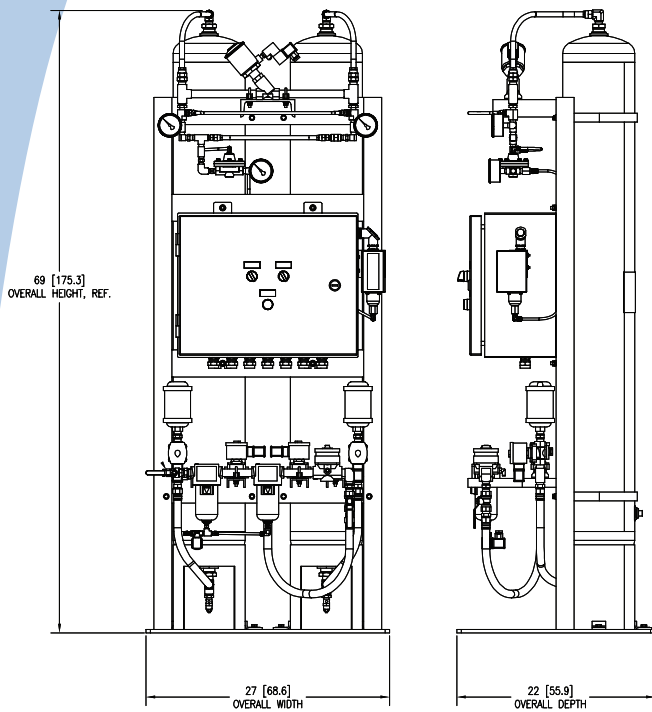
## Specifications

### AS-D+

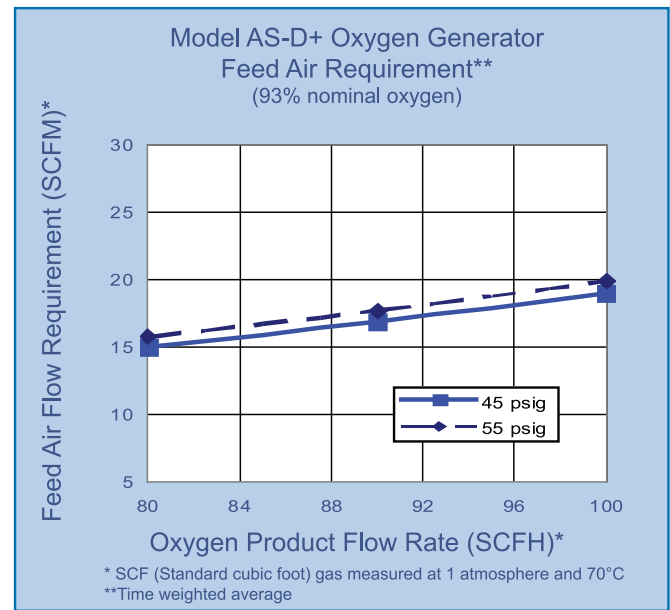
| Product Characteristics                   |   |
|---|---|
| Product Flow                              | 80 - 100 SCFH (2.10 - 2.63 Nm <sup>3</sup> /hr) <sup>1</sup>  |
| Product Pressure                          | 45-65 psig (310-448 kPa) <sup>1</sup>   |
| Product Concentration (nominal)           | 93%   |
| Product Dew Point                         | -100°F (-73°C)  |
| Dimensions (W x D x H) (nominal)          | 27 x 22 x 69 in (69 x 56 x 175 cm)  |
| Weight                                    | 498 lb (226 kg)   |
| Physical Connections <sup>2</sup>         |   |
| Compressed Air Inlet                      | 3/8" FNPT   |
| Product Gas Outlet                        | 1/4" FNPT   |
| Ambient Operating Conditions              | Locate the oxygen generator in a well-ventilated area that is protected from weather elements and remains between 40°F (4°C) and 104°F (40°C)   |
| Feed Air Requirements                     | Flow Rate: <i>Refer to chart on reverse page.</i><br>Clean and Dry "Plant Air" (Class 5.6.5 per ISO 8573.1)<br>Pressure: 90 psig (621 kPa) minimum<br>Temperature: 122°F (50°C) maximum |
| Control Power Requirements (Single Phase) | 120 V ~ ±10%, 50/60 Hz, 3.0 A or 240 V ~ ±10%, 50/60 Hz, 1.0 A  |
| 60 Gallon Oxygen Receiver Characteristics |   |
| Dimensions (Dia. x H)                     | 26 x 52 in (65 x 131 cm)  |
| Weight                                    | 159 lb (72 kg)  |

<sup>1</sup> SCF (Standard cubic foot) gas measured at 1 atmosphere and 70°F / Nm<sup>3</sup> (Normal cubic meter) gas measured at 1 atmosphere and 21°C

<sup>2</sup> Hose and applicable adapters included with optional factory supplied accessory kits.



Note: All dimensions are nominal.



## Ordering Information

| Model       | Part Number | Description   |
|-------------|-------------|---|
|             | AS097-1     | 120 V ~ ±10%, 50/60 Hz <sup>1</sup>   |
|             | AS097-2     | 240 V ~ ±10%, 50/60 Hz <sup>1</sup>   |
|             | AS097-3     | With NEMA 4 Pressure Switch, 120 V ~ ±10%, 50/60 Hz <sup>1</sup>  |
|             | AS097-4     | With NEMA 4 Pressure Switch, 240 V ~ ±10%, 50/60 Hz <sup>1</sup>  |
|             | AS097-7     | With HMI NEMA 4 Touchscreen and oxygen concentration monitor, 120 V ~ ±10%, 50/60 Hz <sup>1</sup>             |
| AS-D+       | AS097-8     | With HMI NEMA 4 Touchscreen and oxygen concentration monitor, 240 V ~ ±10%, 50/60 Hz <sup>1</sup>             |
|             | AS097-9     | With CE Vessels, 240 V ~ ±10%, 50/60 Hz <sup>1</sup>  |
|             | AS097-10    | With NEMA 4 Pressure Switch/ Local Remote ON/OFF, 120 V ~ ±10%, 50/60 Hz <sup>1</sup>                         |
|             | AS097-11    | With NEMA 4 Pressure Switch/ Local Remote ON/OFF, 240 V ~ ±10%, 50/60 Hz <sup>1</sup>                         |
|             | AS097-12    | With oxygen concentration monitor (LED indicator), 120 V ~ ±10%, 50/60 Hz <sup>1</sup>                        |
|             | AS097-13    | With oxygen concentration monitor (LED indicator), 240 V ~ ±10%, 50/60 Hz <sup>1</sup>                        |
|             | TA150-1     | 60 Gallon Oxygen Receiver   |
| Accessories | KI425-1     | Accessory Kit (interconnecting hoses/fittings and oxygen regulator)   |
|             | KI425-3     | Accessory Kit (HMI, interconnecting hoses/fittings, isolation valves with oxygen regulator and oxygen filter) |
|             | KI474-1     | Accessory Kit (oxygen hose - oxygen regulator to use point)   |
|             | KI404-1     | Accessory Kit (mini manifold)   |

| Shipping Information            | AS-D+  | 60 Gallon Oxygen Receiver          |
|---------------------------------|--|------------------------------------|
| Class                           | 92.5   | 70                                 |
| Commodity Classification Number | 8421.39.8040   | 7311.00.0000                       |
| Dimensions (W x D x H)          | 34 x 41 x 83 in (86 x 104 x 211 cm) with Accessory Kit(s)<br>34 x 41 x 85 in (86 x 104 x 216 cm) with Accessory Kit(s), Crated | 28 x 30 x 56 in (71 x 76 x 142 cm) |
| Gross Weight                    | 549 lb (249 kg) with Accessory Kit(s)<br>605 lb (274 kg) with Accessory Kit(s), Crated   | 177 lb (80 kg)                     |

### Warranty: 1 Year Parts and Factory Labor\*\*\*

\*\*\* An unprotected or inadequately ventilated environment, or improper control power may cause damage to the oxygen generator not covered under warranty.

<sup>1</sup> Specify oxygen flow and pressure at time of order.

All performance ratings based on an ambient temperature up to 100°F (38°C), up to 1,000 feet elevation, and 80% relative humidity.

Copyright (C) 2013 Chart Industries  
CAIRE Inc./Chart SeQual Technologies Inc./Chart Inc./AirSep Corp. reserves the right to discontinue its products, or change the prices, materials, equipment, quality, descriptions, specifications and/or processes to its products at any time without prior notice and with no further obligation or consequence.  
All rights not expressly stated herein are reserved by us, as applicable.



A Chart Industries Company

260 Creekside Drive  
Buffalo, NY 14228-2075 U.S.A.

Tel: (716) 691-0202 • Fax: (716) 691-1255

www.airsepcpd.com • cpd@airsep.com

ML-IND0011 A